



Manufactured in Accordance
with
UL 651, NEMA TC 2, TC 3,
TC 6 & TC 8 Standards



INTERPLAST ELECTRICAL PRODUCTS

CERTIFICATE OF COMPLIANCE

Certificate Number
Report Reference
Issue Date

20160328-E478503
E478503-20160326
2016-MARCH-28

Issued to:
Branch of Interplast Co. Ltd
P.O. Box 355087, Riyadh 11383
Saudi Arabia SAUDI ARABIA

This is to certify that
representative samples of
RIGID NONMETALLIC PVC CONDUIT
Schedule 40 rigid PVC nonmetallic conduit in the 3/4, 1, 1-1/4, 1-1/2, 2, 3, 4 and 6 trade sizes with integral couplings.

Standard(s) for Safety:
Additional Information:

Have been investigated by UL in accordance with the
Standard(s) indicated on this Certificate.
UL651 Standard for Schedule 40, 80, Type EB and A Rigid
PVC Conduit and Fittings
See the UL Online Certifications Directory at
www.ul.com/database for additional information

Only those products bearing the UL Certification Mark
Certification and Follow-Up Service.
Look for the UL Certification Mark on the product.



Basim
Basim Maheshwari, Director Team American Certification Program
UL LLC
Any information and documentation including UL Mark
Contains a form UL Customer Service representative.

UL is an authorized licensee of UL. For questions please
contact us at certification@ul.com

Page 1 of 1

Certificate of Registration

Certificate No: 160412016611
This is to Certify that the Management System of
Branch of Interplast Co. Ltd.
P. O. Box 355087, Riyadh-11383, Kingdom of Saudi Arabia
Has been assessed and found to be in accordance with the requirements of
standard detailed below
ISO 9001:2015
This Certificate is valid for the following scope
"Manufacturing of Cable Management Systems
and Electrical Accessories"

Initial Registration Date
1st Surveillance on or before
2nd Surveillance on or before

12th Apr. 2016
12th Mar. 2017
12th Mar. 2018

To check validity of the certificate please
visit www.jas-anz.com.au/

Issue Date
Valid Until

12th Apr. 2016
11th Apr. 2019

Member of Multilateral Recognition Arrangement
JAS-ANZ
M49301121L
www.tnvworld.com

Managing Director
Accredited by Joint Accreditation
System of Australia and New Zealand

Validity of the certificate is subject to successful completion of surveillance audits. Further certification regarding the scope of this certificate and the appropriability of standard may be obtained by consulting the organization.
This certificate remains property of TNV Certification P Ltd and must be returned on request. URL of the <http://www.jas-anz.com.au/>. For surveillance details, please visit at www.tnvworld.com



UL LISTED SCHEDULE 40 CONDUIT

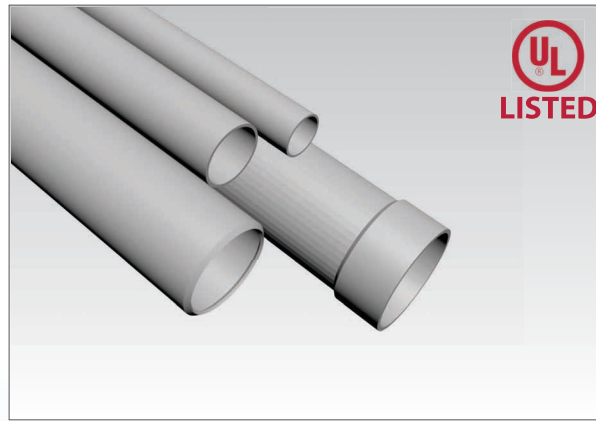


TABLE 1: IN COMPLIANCE WITH UL 651 AND NEMA TC 2 SPECIFICATION

Item Code	Trade / Metric		Minimum Dimensions (mm)		Standard Packs	
	Inch	mm	Outside Diameter	Wall Thickness	Pieces	Meters
DCS4 - 1	½"	16	21.24	2.77	20	60
DCS4 - 2	¾"	21	26.57	2.87	10	30
DCS4 - 3	1"	27	33.27	3.38	1	3
DCS4 - 4	1 ¼"	35	42.03	3.56	1	3
DCS4 - 5	1 ½"	41	48.11	3.68	1	3
DCS4 - 6	2"	53	60.17	3.91	1	3
DCS4 - 6/A	2 ½"	63	72.84	5.16	1	3
DCS4 - 7	3"	78	88.70	5.49	1	3
DCS4 - 8	4"	103	114.07	6.02	1	3
DCS4 - 9	6"	155	168.00	7.11	1	3

SCHEDULE 80 CONDUIT

TABLE 2: IN COMPLIANCE WITH NEMA TC 2 SPECIFICATION

Item Code	Trade / Metric		Minimum Dimensions (mm)		Standard Packs	
	Inch	mm	Outside Diameter	Wall Thickness	Pieces	Meters
DCS8 - 1	½"	16	21.24	3.73	20	60
DCS8 - 2	¾"	21	26.57	3.91	10	30
DCS8 - 3	1"	27	33.27	4.55	1	3
DCS8 - 4	1 ¼"	35	42.03	4.85	1	3
DCS8 - 5	1 ½"	41	48.11	5.08	1	3
DCS8 - 6	2"	53	60.17	5.54	1	3
DCS8 - 6/A	2 ½"	63	72.84	7.01	1	3
DCS8 - 7	3"	78	88.70	7.62	1	3
DCS8 - 8	4"	103	114.07	8.56	1	3
DCS8 - 9	6"	155	168.00	10.97	1	3

● Standard length of 3 meters in grey colour. Other colours and length can be produced upon request.

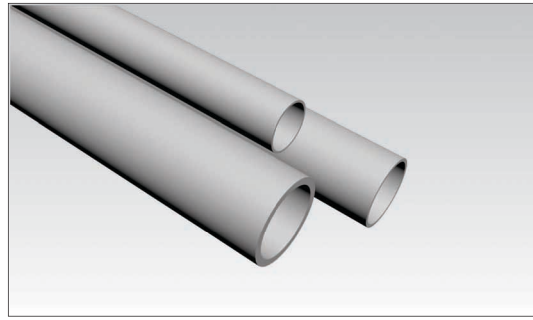


TABLE 3A : IN COMPLIANCE WITH NEMA TC6 & TC8 / ASTM F 512 SPECIFICATION (TYPE: EB 20)

Item Code	Trade / Metric		Minimum Dimensions (mm)		Standard Packs	
	Inch	mm	Outside Diameter	Wall Thickness	Pieces	Meters
DCEB2 - 6	2"	53	60.17	1.52	1	6
DCEB2 - 7	3"	78	88.70	1.55	1	6
DCEB2 - 8	4"	103	114.07	2.08	1	6
DCEB2 - 9	6"	155	168.00	3.18	1	6

TABLE 3B : IN COMPLIANCE WITH NEMA TC6 & TC8 / ASTM F 512 SPECIFICATION (TYPE: EB 35)

Item Code	Trade / Metric		Minimum Dimensions (mm)		Standard Packs	
	Inch	mm	Outside Diameter	Wall Thickness	Pieces	Meters
DCEB3 - 6	2"	53	60.17	1.52	1	6
DCEB3 - 7	3"	78	88.70	1.93	1	6
DCEB3 - 8	4"	103	114.07	2.54	1	6
DCEB3 - 9	6"	155	168.00	3.86	1	6

TABLE 3C : IN COMPLIANCE WITH NEMA TC6 & TC8 / ASTM F 512 SPECIFICATION (TYPE: DB 60)

Item Code	Trade / Metric		Minimum Dimensions (mm)		Standard Packs	
	Inch	mm	Outside Diameter	Wall Thickness	Pieces	Meters
DCDB6 - 6	2"	53	60.17	1.52	1	6
DCDB6 - 7	3"	78	88.70	2.34	1	6
DCDB6 - 8	4"	103	114.07	3.07	1	6
DCDB6 - 9	6"	155	168.00	4.62	1	6

TABLE 3D : IN COMPLIANCE WITH NEMA TC6 & TC8 / ASTM F 512 SPECIFICATION (TYPE: DB 120)

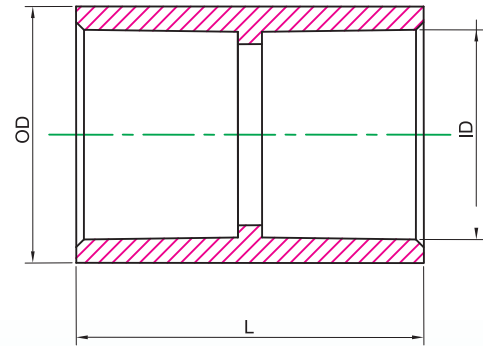
Item Code	Trade / Metric		Minimum Dimensions (mm)		Standard Packs	
	Inch	mm	Outside Diameter	Wall Thickness	Pieces	Meters
DCDB12 - 3	1"	27	33.27	1.52	1	6
DCDB12 - 5	1 ½"	41	48.11	1.52	1	6
DCDB12 - 6	2"	53	60.17	1.96	1	6
DCDB12 - 7	3"	78	88.70	3.00	1	6
DCDB12 - 8	4"	103	114.07	3.91	1	6
DCDB12 - 9	6"	155	168.00	5.77	1	6

● Standard length of 6 meters in grey colour. Other colours and lengths can be produced upon request.

TYPE EB: Designed for Encased Burial in Concrete.

TYPE DB: Designed for Direct Burial without Encasement in Concrete.

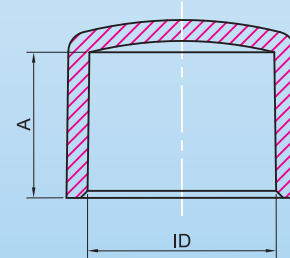
COUPLINGS



A coupling is intended to join lengths of conduit pipes.

Item Code	Trade / Metric		Minimum Inside Diameter (ID) mm	Length (L) mm	Pack Qty.
	Inch	mm			
NS40SC 1 G	½"	16	21.54	35.9	90
NS40SC 2 G	¾"	21	26.93	39.3	63
NS40SC 3 G	1"	27	33.65	47.2	70
NS40SC 4 G	1 ¼"	35	42.47	50.4	48
NS40SC 5 G	1 ½"	41	48.57	56.7	30
NS40SC 6 G	2"	53	60.63	59.9	15
NS40SC 7 G	3"	78	89.08	-	-
NS40SC 8 G	4"	103	114.45	-	-
NS40SC 9 G	6"	155	168.83	-	-

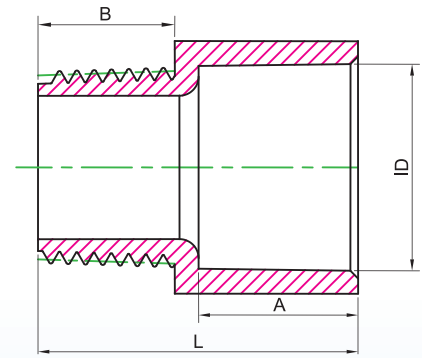
END CAPS



An End Cap is intended for closing the ends of unused lengths of conduits.

Item Code	Trade / Metric		Minimum Dimensions (mm)		Pack Qty.
	Inch	mm	Inside Diameter (ID)	A	
NS40EC 1 G	½"	16	21.54	16.56	150
NS40EC 2 G	¾"	21	26.93	18.26	100
NS40EC 3 G	1"	27	33.65	22.22	54
NS40EC 4 G	1 ¼"	35	42.47	23.83	54
NS40EC 5 G	1 ½"	41	48.57	26.97	25
NS40EC 6 G	2"	53	60.63	28.58	26
NS40EC 7 G	3"	78	89.08	40.49	-
NS40EC 8 G	4"	103	114.45	44.45	-
NS40EC 9 G	6"	155	168.83	53.98	-

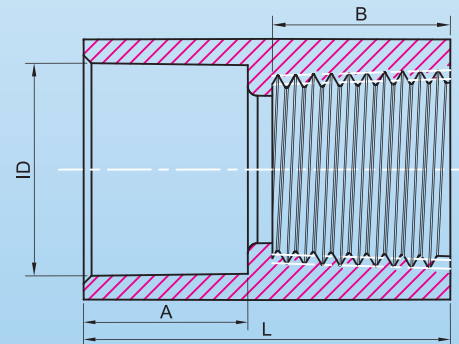
MALE ADAPTORS



A Male Adaptor is intended for joining conduits to boxes, threaded fittings or similar threaded devices.

Item Code	Trade / Metric		Minimum Dimensions (mm)			Length (L) mm	Pack Qty.
	Inch	mm	Inside Diameter (ID)	A	B		
NS40MA 1 G	½"	16	21.54	16.56	13.46	33.45	132
NS40MA 2 G	¾"	21	26.93	18.26	13.97	36.80	105
NS40MA 3 G	1"	27	33.65	22.22	17.27	45.80	48
NS40MA 4 G	1 ¼"	35	42.47	23.83	18.03	52.10	48
NS40MA 5 G	1 ½"	41	48.57	26.97	18.29	55.64	45
NS40MA 6 G	2"	53	60.63	28.58	19.30	58.10	24

FEMALE ADAPTORS



A Female Adaptor is intended for joining conduits to male threaded fittings and devices.

Item Code	Trade / Metric		Minimum Dimensions (mm)			Length (L) mm	Pack Qty.
	Inch	mm	Inside Diameter (ID)	A	B		
NS40FA 1 G	½"	16	21.54	16.56	13.46	36.75	90
NS40FA 2 G	¾"	21	26.93	18.26	13.97	38.90	63
NS40FA 3 G	1"	27	33.65	22.22	17.27	48.05	32
NS40FA 4 G	1 ¼"	35	42.47	23.83	18.03	53.30	33
NS40FA 5 G	1 ½"	41	48.57	26.97	18.29	56.10	25
NS40FA 6 G	2"	53	60.63	28.58	19.30	57.00	15

END BELLS



Item Code	Trade / Metric		Pack Qty.
	Inch	mm	
NS40EB 6 G	2"	53	-
NS40EB 7 G	3"	78	-
NS40EB 8 G	4"	103	-
NS40EB 9 G	6"	155	-

NORMAL BENDS



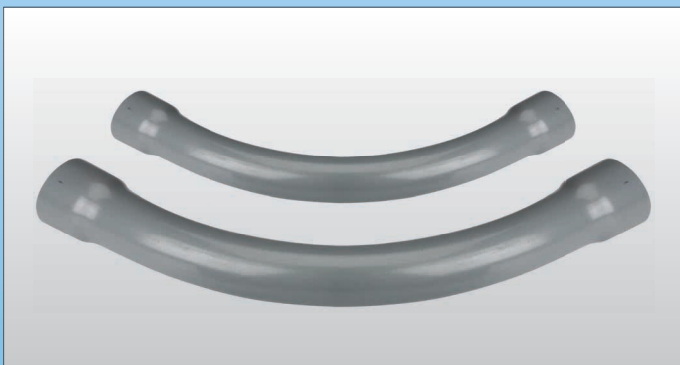
Item Code	Trade / Metric		Pack Qty.
	Inch	mm	
NS40NB 1 G	1/2"	16	20
NS40NB 2 G	3/4"	21	10
NS40NB 3 G	1"	27	5
NS40NB 4 G	1 1/4"	35	5
NS40NB 5 G	1 1/2"	41	2
NS40NB 6 G	2"	53	2
NS40NB 6/A G	2 1/2"	63	2
NS40NB 7 G	3"	78	1
NS40NB 8 G	4"	103	1
NS40NB 9 G	6"	155	1

SOCKETED BENDS - ONE END



Item Code	Trade / Metric		Pack Qty.
	Inch	mm	
NS40BS 1 G	1/2"	16	20
NS40BS 2 G	3/4"	21	10
NS40BS 3 G	1"	27	5
NS40BS 4 G	1 1/4"	35	5
NS40BS 5 G	1 1/2"	41	2
NS40BS 6 G	2"	53	2
NS40BS 6/A G	2 1/2"	63	2
NS40BS 7 G	3"	78	1
NS40BS 8 G	4"	103	1
NS40BS 9 G	6"	155	1

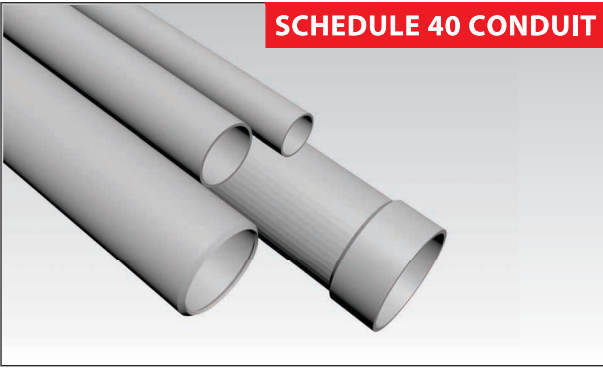
SOCKETED BENDS - TWO END



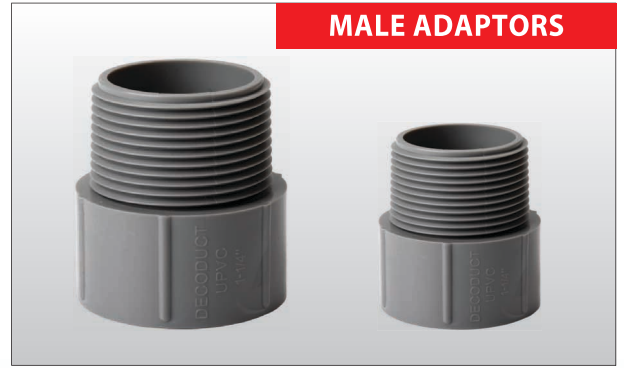
Item Code	Trade / Metric		Pack Qty.
	Inch	mm	
NS40BES 6 G	2"	53	2
NS40BES 7 G	3"	78	1
NS40BES 8 G	4"	103	1
NS40BES 9 G	6"	155	1

SCHEDULE 40 / 80 CONDUIT & FITTINGS

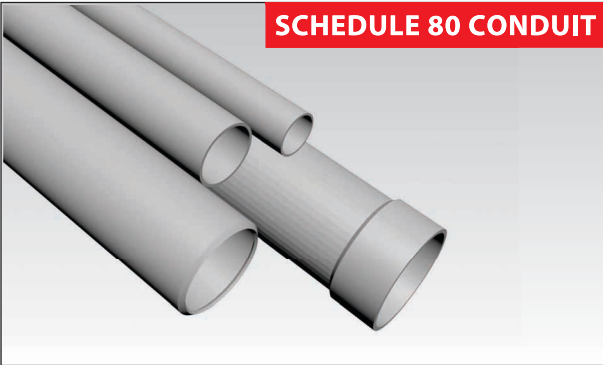
SCHEDULE 40 CONDUIT



MALE ADAPTORS



SCHEDULE 80 CONDUIT



END BELLS



COUPLINGS



NORMAL BENDS



END CAPS



SOCKETED BENDS - ONE END



FEMALE ADAPTORS



SOCKETED BENDS - TWO END



RIGID PVC CONDUITS & FITTINGS

Schedule 40 and 80 rigid conduit systems are manufactured in accordance with UL 651, NEMA TC2, TC3, TC6 & TC8 standards, made from rigid PVC compound and used for exposed, encased in concrete, concealed in walls, and direct burial applications including for:

- UTILITIES
- COMMERCIAL AND INDUSTRIAL BUILDINGS
- RESIDENTIAL BUILDINGS
- DATA AND COMMUNICATION LINES
- TRANSPORTATION SYSTEM-TUNNELS AND SUBWAYS

PROPERTIES	UNIT	VALUE
SPECIFIC GRAVITY	g/cc	1.42 – 1.47
TENSILE STRENGTH	N/mm ²	52
ELONGATION AT BREAKS	%	> 100
HARDNESS	SHORE D	82
HEAT DEFLECTION TEMPERATURE	°C	78
VICAT SOFTENING TEMPERATURE	°C	> 80
FLAMMABILITY	-	SELF-EXTINGUISHING

DECODUCT range of Schedule 40 & 80 conduit and fittings are durable, effective, and provide years of maintenance free performance.

The range exhibits superior electrical non-conductor properties and is suitable for use with 90° C conductors.

DECODUCT Schedule 40 & 80 products are resistant to most chemicals, unaffected by all kinds of soils, liquids or corrosive conditions normally encountered in installations.

DECODUCT[®]
CABLE MANAGEMENT SYSTEMS

EDISON[®]
ELECTRICAL ACCESSORIES

INTERGARD
Cable Protection Systems



BRANCH OF INTERPLAST CO. LTD.

P.O. Box - 270982 / 355087 Riyadh, Saudi Arabia

Tel: +966 1 4714667 / 5654377 / 2651988 / 2654502

Fax: +966 1 9661 4667 / 2651833

Email: info@interplast-ksa.com

HEADQUARTERS

INTERPLAST CO.LTD.

P.O.Box: 4679, Sharjah, UAE

Tel: +971 6 5339090 / 5395577, Fax: +971 6 5336905 / 5395775

Email: intrplst@emirates.net.ae ; customerservice@interplast-uae.com

Web site: www.interplast.ae

Group
HARWAL
MANUFACTURING TECHNOLOGIES

www.harwal.net